

SecureLinx™

Premier Security Products Protection

INSTALLATION INSTRUCTIONS

Model: MSL-24V-POWER

1. Remove protector cover.
2. Connect the power input /output using screw down terminals. Following the color code printed on circuit board inside of the unit.

Fig. 1

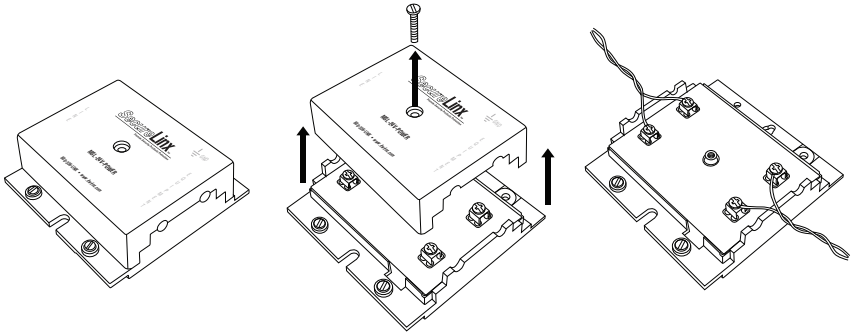
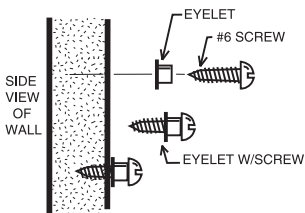


Fig. 2



TW Linx
Communications Products

Surge Protection Solutions

425 N.Gary Ave., Carol Stream, IL 60188 Tel. 1.800.336.5469 Fax. 1.630.315.2151

Revision: 08/2009

Part Number: 2090-130-301