

# SecureLinx™

Premier Security Products Protection

## INSTALLATION INSTRUCTIONS

### Model: MSL-CAT5-24V

1. Remove protector cover.
2. Strip off 1.5" of jacket from line input 24 AWG OSP cable and protected equipment cable (See figure 1).
3. Insert OSP cable ("LINE" side) into clip on the printed circuit board. If shielded cable is used, contact shield with the clip.
4. Punch down line input pairs on the 110 connectors ("LINE" side) carefully maintaining proper wire twist. (Note: The color code is printed on the PC board next to the connector.)
5. Punch down the protected equipment pairs on the opposite 110 connectors ("EQUIPMENT" side) carefully maintaining proper wire twist. (Note: The color code is printed on the PC board next to the connector.)
6. Position and tightly secure a cable tie on each cable to provide strain relief next to cable exit holes in the protector housing.
7. Connect the power input/output using screw down terminals. Following the color code printed on circuit board inside of the unit.

Fig. 1

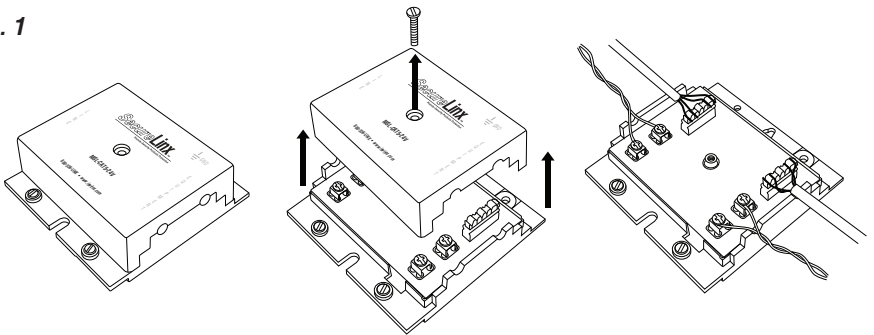
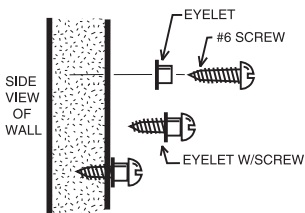


Fig. 2



**TW Linx**  
Communications Products  
**Surge Protection Solutions**

425 N.Gary Ave., Carol Stream, IL 60188 Tel. 1.800.336.5469 Fax. 1.630.315.2151

Revision: 08/2009

Part Number: 2090-170-301