

MULTILINE SERIES ML25-CAT5-LAN PROTECTOR
UL INSTALLATION INSTRUCTIONS
PROTECTOR GROUNDING



PRIMARY INDOOR PROTECTION- UL497
AND/OR
ISOLATED LOOP PROTECTION- UL497B

1. MOUNT PROTECTOR ON WALL, BACKPANEL, OR RACK SYSTEM. IF AN 89D BRACKET IS INSTALLED, THE PROTECTOR CAN SNAP ONTO THE BRACKET.
2. REMOVE THE COVER OF THE HOUSING BY UNSCREWING THE TWO CAPTIVE SCREWS ON TOP.
3. REMOVE NUT AND GROUND CLIP (FIG. 1).
4. PREPARE 25-PAIR LINE AND EQUIPMENT CABLES FOR INSTALLATION AND GROUNDING (FIG. 2).
5. FOR EACH PAIR TO BE INSTALLED, STRIP OFF 1.5" LENGTH OF JACKET FROM LINE INPUT 24 AWG OSP CABLE AND PROTECTED EQUIPMENT CABLE. ROUTE AND PUNCH DOWN LINE AND EQUIPMENT PAIRS AS REQUIRED USING THE PROPER PUNCH-DOWN TOOL WHILE MAINTAINING PROPER WIRE TWIST. OSP OR BUILDING INTERCONNECT CABLE SHALL BE PHYSICALLY 24 AWG OR LARGER.
6. PLACE GROUND CLIP OVER THE EXPOSED ALUMINUM SHIELD OF THE CABLES AND TIGHTEN USING THE NUT, LOCKWASHER, AND WASHER.
7. PLACE THE COVER OF THE HOUSING OVER THE BASE OF THE HOUSING AND USING THE CAPTIVE SCREWS, FASTEN THE COVER TO THE BASE.
8. ATTACH AWG #6 SOLID COPPER GROUND WIRE TO THE PROVIDED SCREW GROUNDING LUG (SGL-1) USING THE PROVIDED GROUND WIRE SCREW. CONFIRM THAT THE GROUND WIRE IS CONNECTED TO A GOOD EARTH GROUND ON THE OTHER END (FIG. 3).

CAUTION:

1. NEVER INSTALL TELEPHONE WIRING DURING A LIGHTNING STORM.
2. DISCONNECT TELEPHONE LINES BEFORE INSTALLING THE PROTECTOR.
3. PROTECTOR AND EQUIPMENT GROUND SHOULD BE CONNECTED TO A SINGLE COMMON GROUND.
4. MAKE SURE NO ELECTRICAL SURGES ARE ON THE LINES WHEN INSTALLING OR REMOVING CIRCUIT CARDS.

NOTE:

1. THE PROTECTOR SHALL BE INSTALLED IN ACCORDANCE WITH THE APPLICABLE REQUIREMENTS OF THE NATIONAL ELECTRIC CODE, ANSI/NFPA-70, ARTICLE 800, SECTION C.

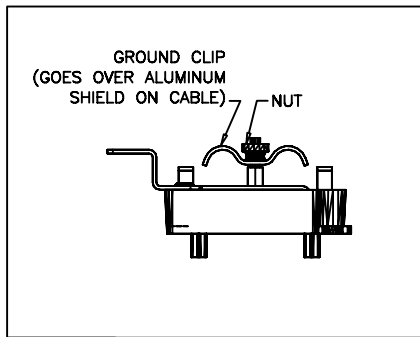


FIG. 1

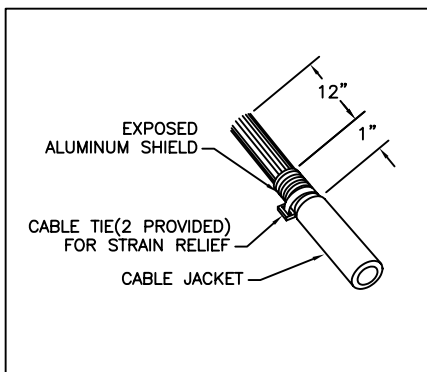


FIG. 2

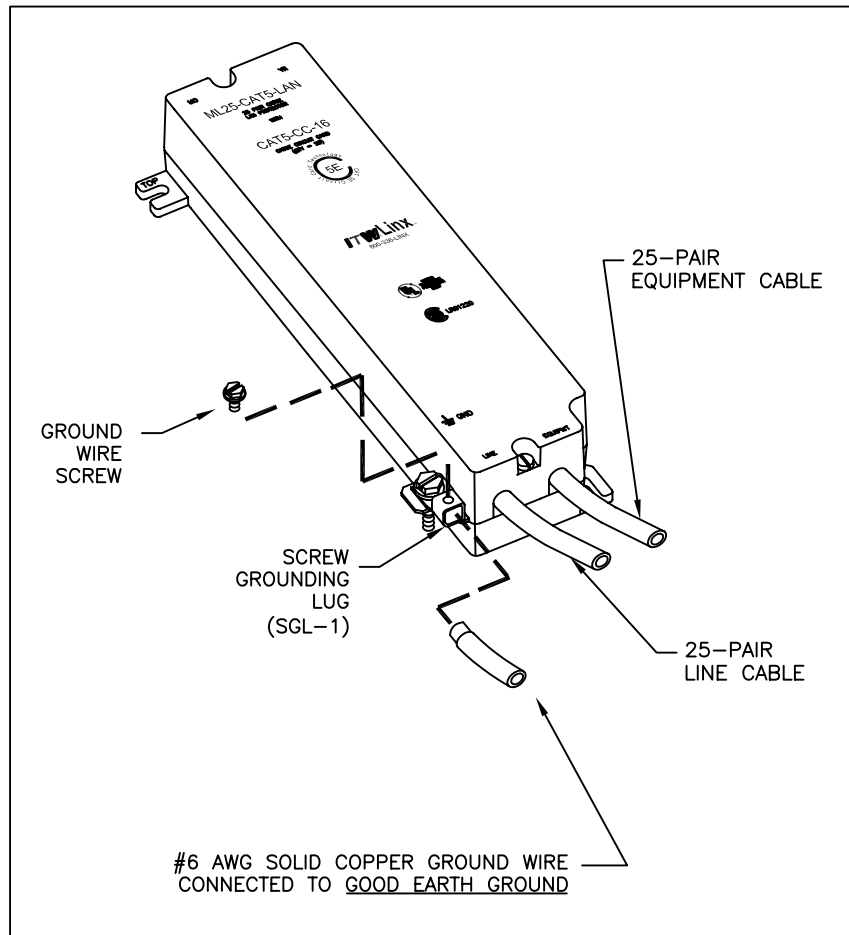


FIG. 3